

实验LGT8F328P成功

原创

doctorlyly 于 2020-03-11 15:07:56 发布 5350 收藏 3

分类专栏: [笔记](#)

版权声明: 本文为博主原创文章, 遵循 [CC 4.0 BY-SA](#) 版权协议, 转载请附上原文出处链接和本声明。

本文链接: <https://blog.csdn.net/doctorlyly/article/details/104797067>

版权



[笔记 专栏收录该内容](#)

169 篇文章 3 订阅

订阅专栏

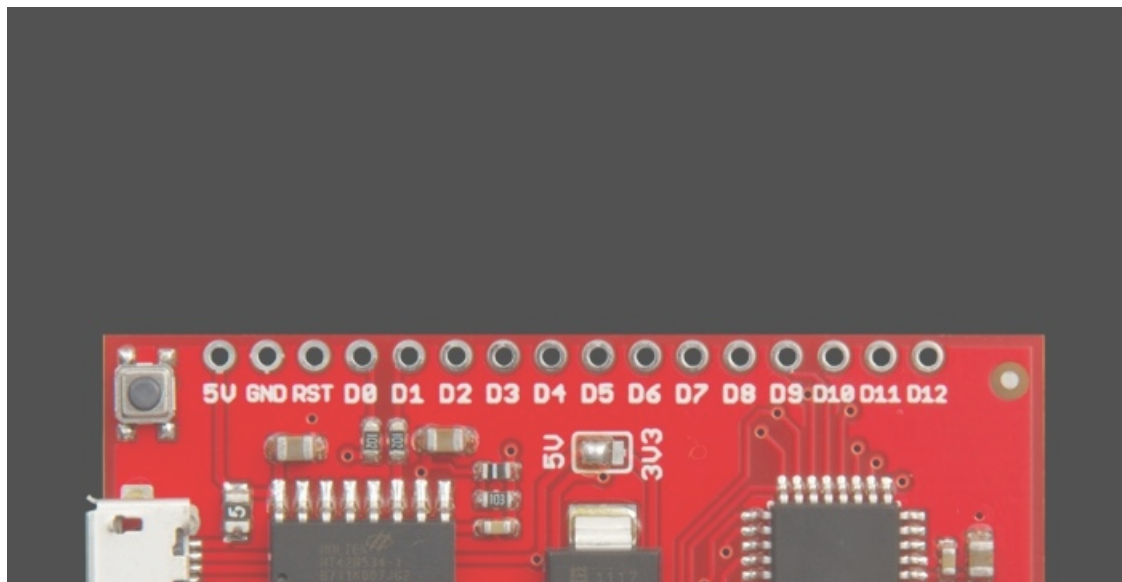
前几天花了7块钱买了个LGT8F328P 芯片的实验板

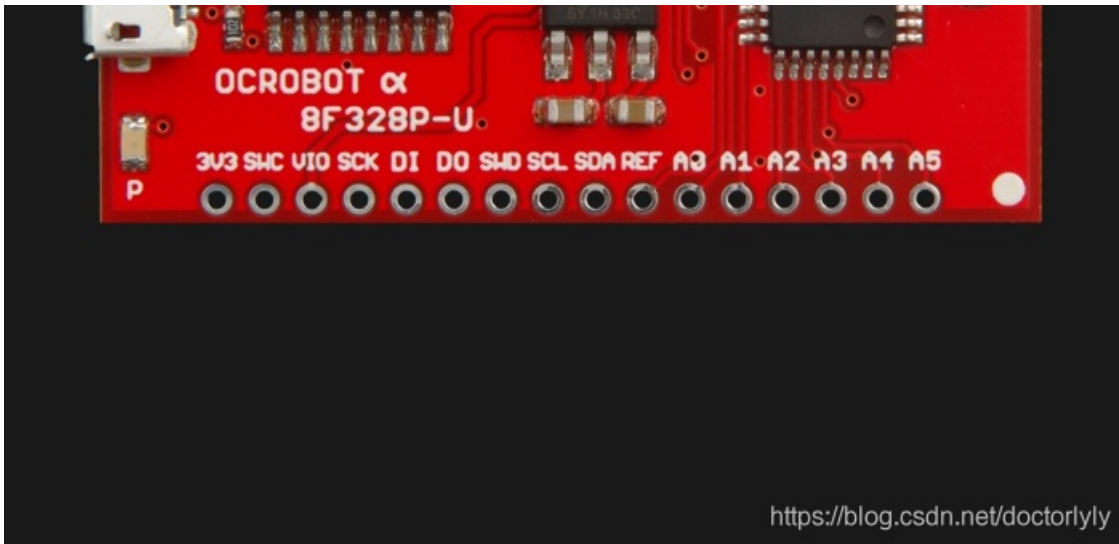
在OCROBOT平台上实验的 成功了

注意, 这个平台是需要先在板管理那选择, 对应的库, 安装。相当于原生支持

不需要再下代码拷贝了

看图吧





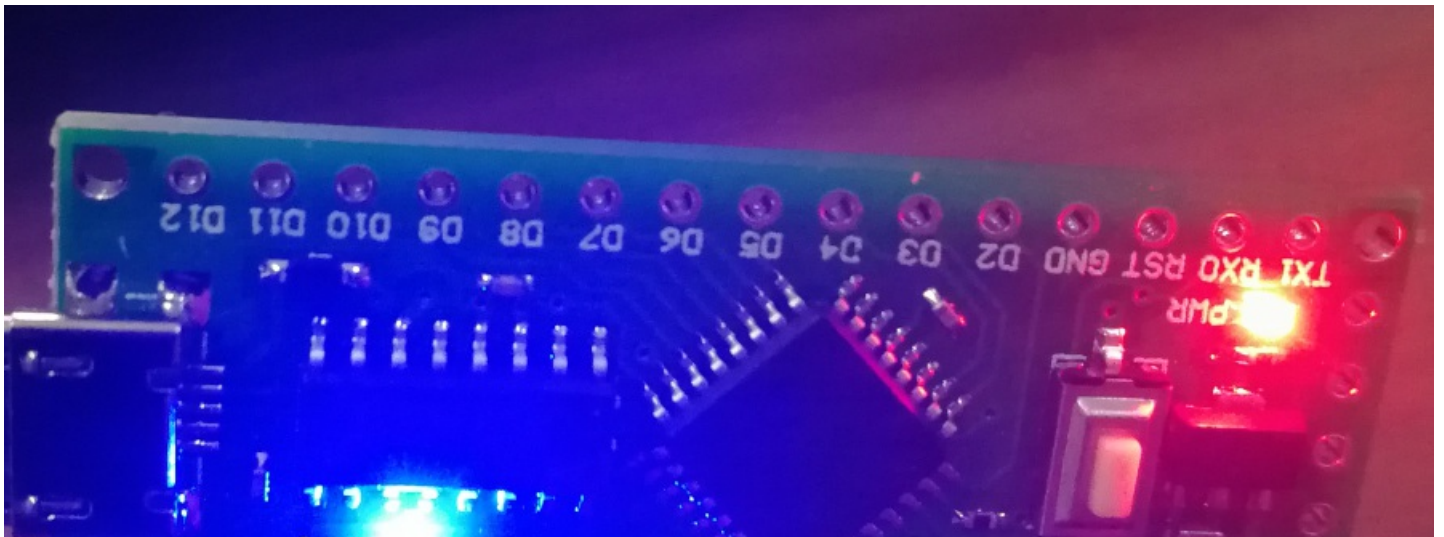
注意：这个图不是我的那家的 我买的是绿色的LED --13口

```
*/
#define MyLED 13

// the setup function runs once when you press reset or power the board
void setup() {
  // initialize digital pin 13 as an output.
  pinMode(MyLED, OUTPUT);
  Serial.begin(9600);
}

// the loop function runs over and over again forever
void loop() {
  digitalWrite(MyLED, HIGH); // turn the LED on (HIGH is the voltage
  delay(100); // wait for a second
  digitalWrite(MyLED, LOW); // turn the LED off by making the voltage
  delay(100); // wait for a second
  Serial.println("HELLO WORLD");
}
```

https://blog.csdn.net/doctorlyly





同时还验证了串口

这个板子 是可以直接下载的！很好

附上PIN图吧：

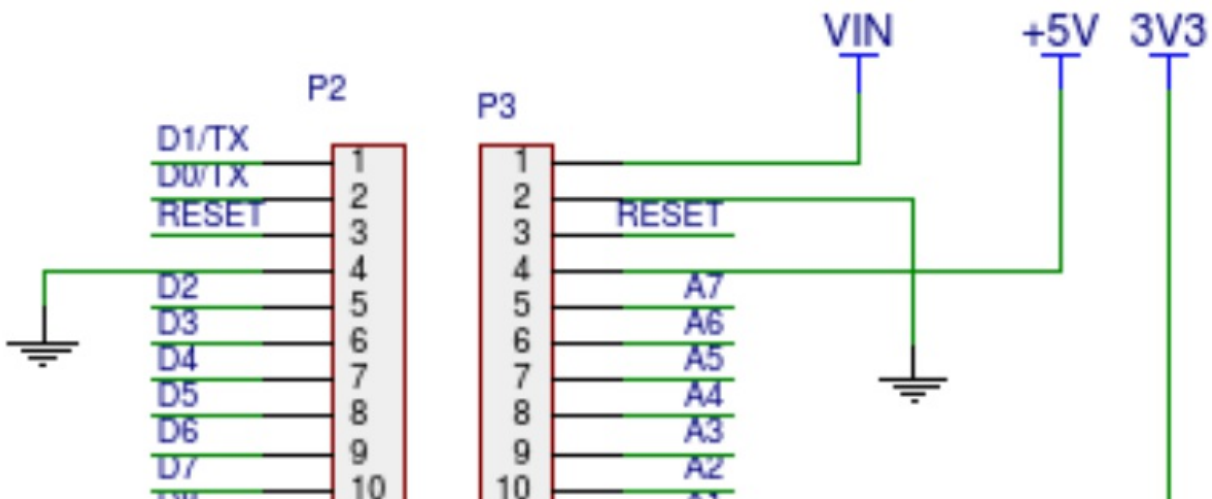
```
static const uint8_t SS = 10;
static const uint8_t MOSI = 11;
static const uint8_t MISO = 12;
static const uint8_t SCK = 13;

static const uint8_t SDA = 18;
static const uint8_t SCL = 19;
static const uint8_t LED_BUILTIN = 13;

static const uint8_t A0 = 14;
static const uint8_t A1 = 15;
static const uint8_t A2 = 16;
static const uint8_t A3 = 17;
static const uint8_t A4 = 18;
static const uint8_t A5 = 19;
#if defined(__LGT8FX8E__) || defined(__LGT8FX8P__)
static const uint8_t A6 = 20;
static const uint8_t A7 = 21;
#endif
#if defined(__LGT8FX8P48__)
static const uint8_t A8 = 23;
static const uint8_t A9 = 24;
static const uint8_t A10 = 25;
static const uint8_t A11 = 26;
#endif
#endif
#endif

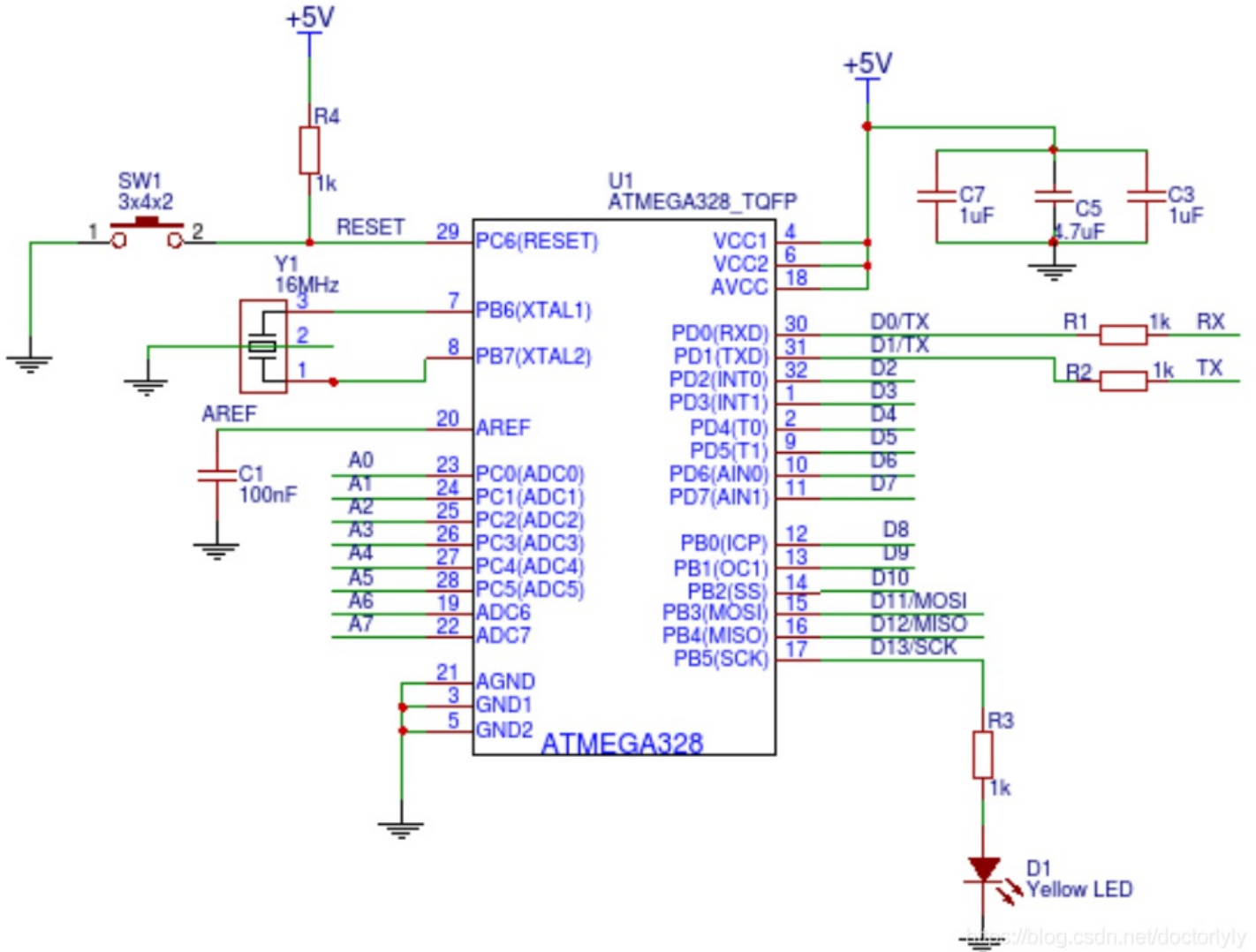
#define D0 0 /* PD0 */
#define D1 1 /* PD1 */
#define D2 2 /* PD2 */
#define D3 3 /* PD3 */
#define D4 4 /* PD4 */
#define D5 5 /* PD5 */
#define D6 6 /* PD6 */
#define D7 7 /* PD7 */

#define D8 8 /* PB0 */
#define D9 9 /* PB1 */
#define D10 10 /* PB2 */
#define D11 11 /* PB3 */
#define D12 12 /* PB4 */
#define D13 13 /* PB5 */
```





<https://blog.csdn.net/doctorlyly>



<https://blog.csdn.net/doctorlyly>